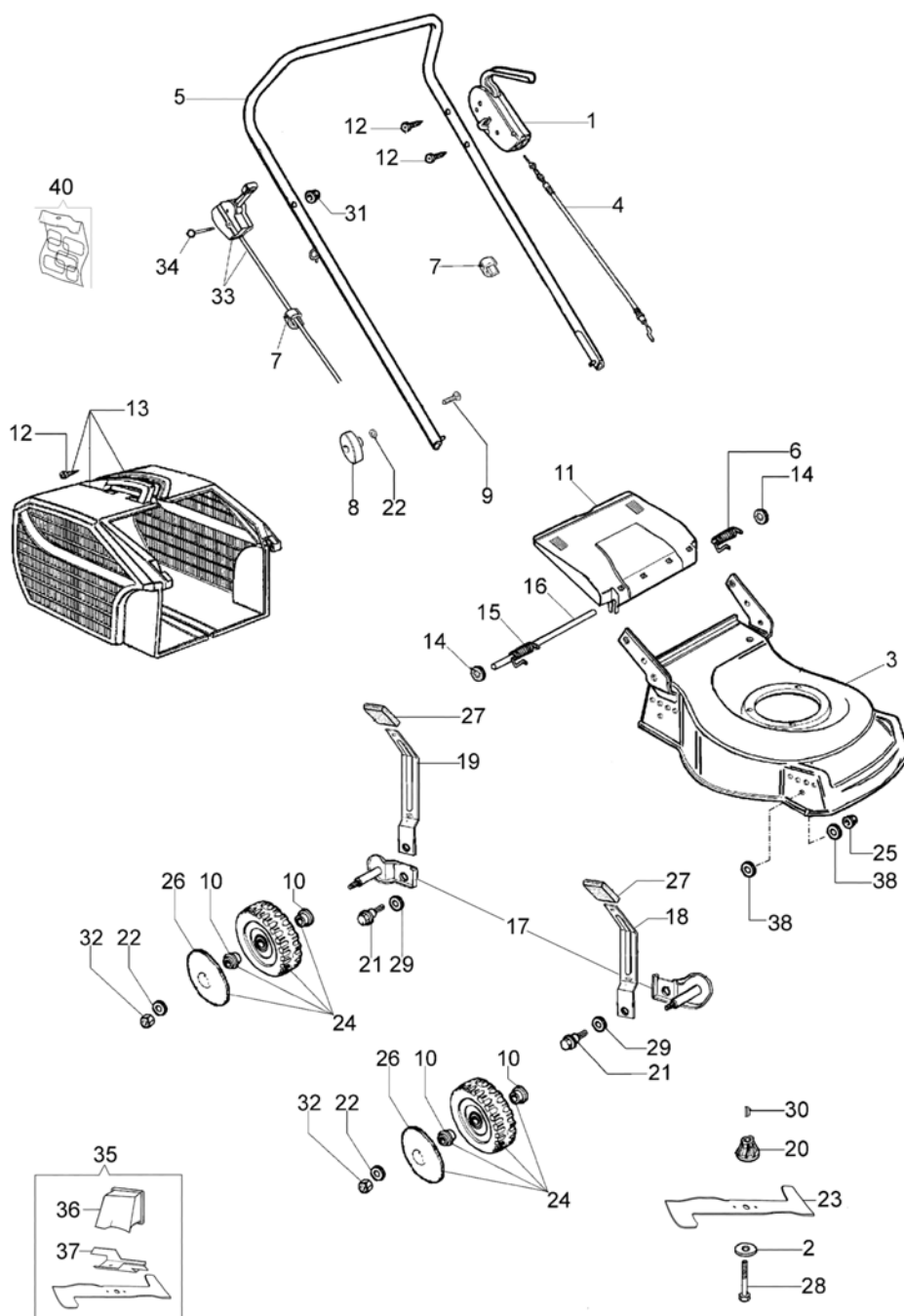


G 48 PK (K500) - Illustrated parts list

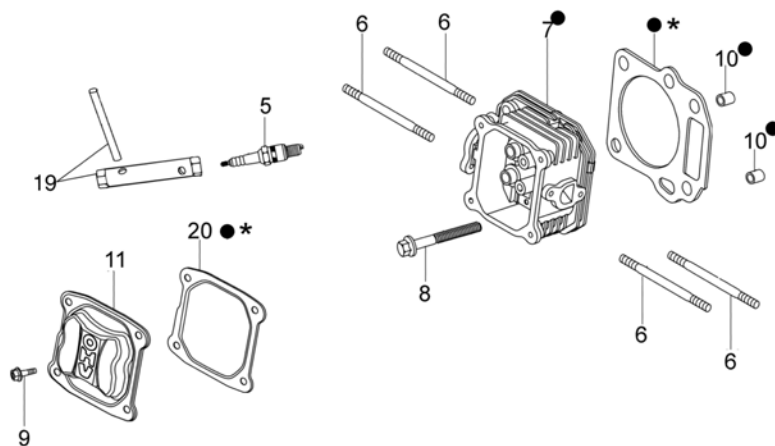
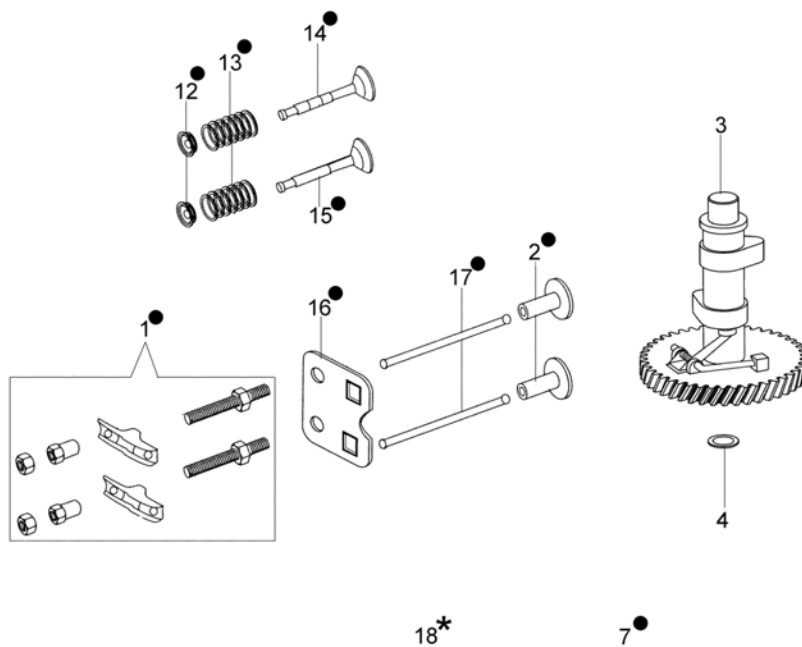


G 48 PK (K500) - Illustrated parts list



Ref.Nu	Qty	Part number	Description	Validity from	Validity till	Notes	Bulletin
1	1	66132014	Complete lever				
2	1	66060384R	Washer				
3	1	66110010R	Deck				
4	1	66100183R	Brake wire 1410mm				
5	1	66100094	Handlebar				
6	1	66110017R	Spring				
7	1	66060231	Band				
8	2	4119013AR	Knob				
9	2	3910015R	Screw				
10	8	66030081R	Bearing				
11	1	66110014R	Shutter				
12	4	3960013R	Screw				
13	1	66112001R	Complete grassbag				
14	2	3045034R	Retainer washer				
15	1	66110018R	Spring				
16	1	66110026R	Deflector axle				
17	2	66070301A	Support set				BT5-057-11/09
18	2	66070248R	Lever				
19	2	66070031R	Lever				
20	1	66030003AR	Hub				
21	4	66070030A	Pin				
22	6	66030012R	Washer				
23	1	66110469R	Mulching blade				BT5-061-06/10
24	4	66110281	Wheel kit				
25	4	3933032R	Nut				
26	4	66110278R	Wheel cover				
27	4	66070021R	Handle				
28	1	3906150R	Screw				
29	4	3027001R	Washer				
30	1	8202126R	Key				
31	1	3914006R	Nut				
32	4	3914010R	Nut				
33	1	66060164BR	Compl. throttle				
34	1	3910020R	Screw				
35	1	66110128R	Mulching Kit				
36	1	66110127R	Mulching cap				
37	1	66060170BR	Fan				
38	8	66030012R	Washer				
40	1	66070380	Labels kit				

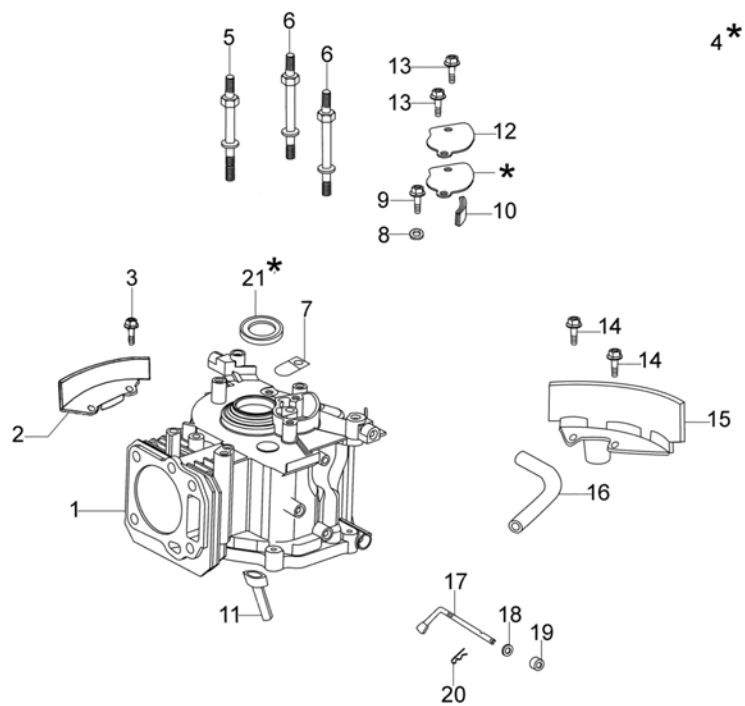
G 48 PK (K500) - Cylinder head and valve



G 48 PK (K500) - Cylinder head and valve

Ref.Nu	Qty	Part number	Description	Validity from	Validity till	Notes	Bulletin
1	2	L66150368	Rocker arm				
2	2	L66150403	Slide				
3	1	L66150404	Camshaft Assy				
4	1	L66150399	Washer				
5	1	3055123	Spark plug				
6	4	L66150396	Stud				
7	1	L66150215	Head comp.cylinder				
8	4	L66150005	Screw				
9	4	L66150393	Screw				
10	2	L66150350	Pin				
11	1	L66150394	Shutter				
12	2	L66150398	Spring holder				
13	2	L66150366	Spring Valve				
14	1	L66150091	Intake valve				
15	1	L66150400	Intake valve				
16	1	L66150401	Plate				
17	2	L66150402	Equalizer rod				
18	1	L66150227	Gasket set				
19	1	66060414	19 x 21 mm wrench				
20	1	L66150471	Oil seal				

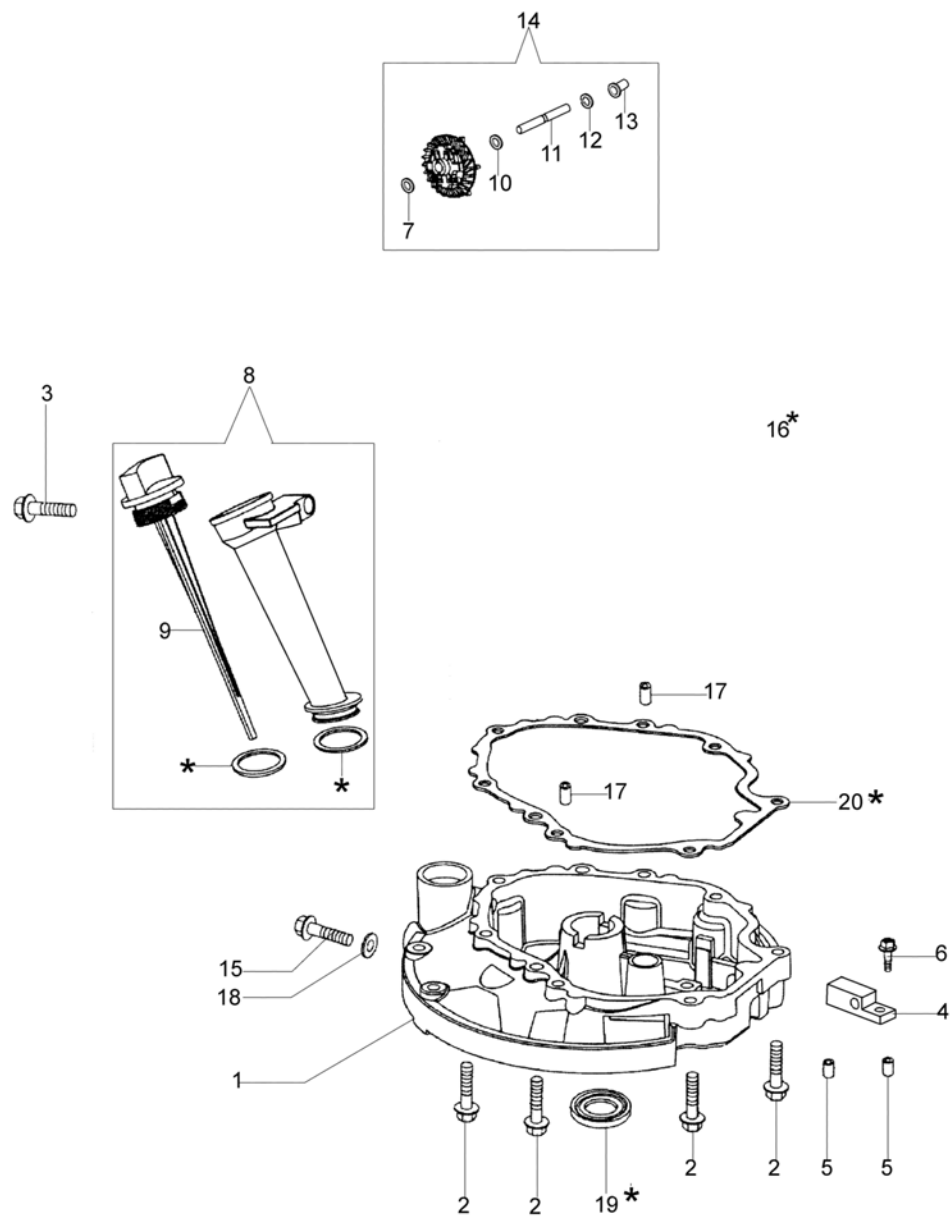
G 48 PK (K500) - Cylinder and crankcase



G 48 PK (K500) - Cylinder and crankcase

Ref.Nu	Qty	Part number	Description	Validity from	Validity till	Notes	Bulletin
1	1	L66150224	Crank case comp.				
2	1	L66150243	Guard				
3	2	L66150464	Screws				
4	1	L66150227	Gasket set				
5	1	L66150407	Stud				
6	2	L66150408	Stud				
7	1	L66150410	Reed valve				
8	1	L66150035	Washer				
9	1	L66150411	Screws				
10	1	L66150023	Filter,breather				
11	1	L66150232	Packing, breather chamber				
12	1	L66150413	Cap				
13	2	L66150414	Screws				
14	2	L66150316	Screw				
15	1	L66150031	Guard				
16	1	L66150229	Hose				
17	1	L66150417	Shaft,governor arm				
18	1	L66150035	Washer				
19	1	L66150419	Oil seal				
20	1	L66150353	Pin				
21	1	L66150409	Sealing ring				

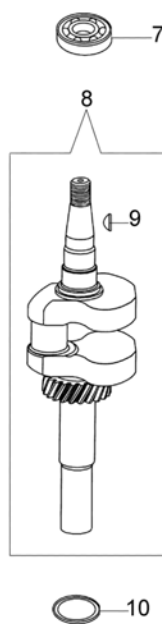
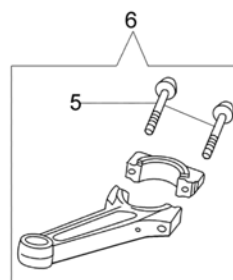
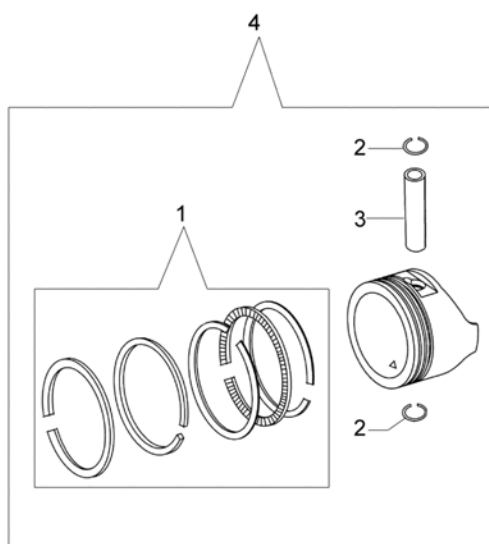
G 48 PK (K500) - Crankcase cover



G 48 PK (K500) - Crankcase cover

Ref.Nu	Qty	Part number	Description	Validity from	Validity till	Notes	Bulletin
1	1	L66150230	Cover				
2	7	L66150452	Screw				
3	3	L66150453	Screw				
4	1	L66150454	Plate,governor holder				
5	2	L66150455	Bushing				
6	1	L66150456	Screw				
7	1	L66150035	Washer				
8	1	L66150458	Cap assy				
9	1	L66150067	Oil cap				
10	1	L66150053	Washer				
11	1	L66150054	Shaft,governor				
12	1	L66150055	Clip,governor holder				
13	1	L66150056	Slide control				
14	1	L66150457	Governor				
15	1	L66150352	Screw				
16	1	L66150227	Gasket set				
17	2	L66150357	Pin				
18	1	L66150354	Washer				
19	1	L66150462	Oil seal				
20	1	L66150463	Oil seal				

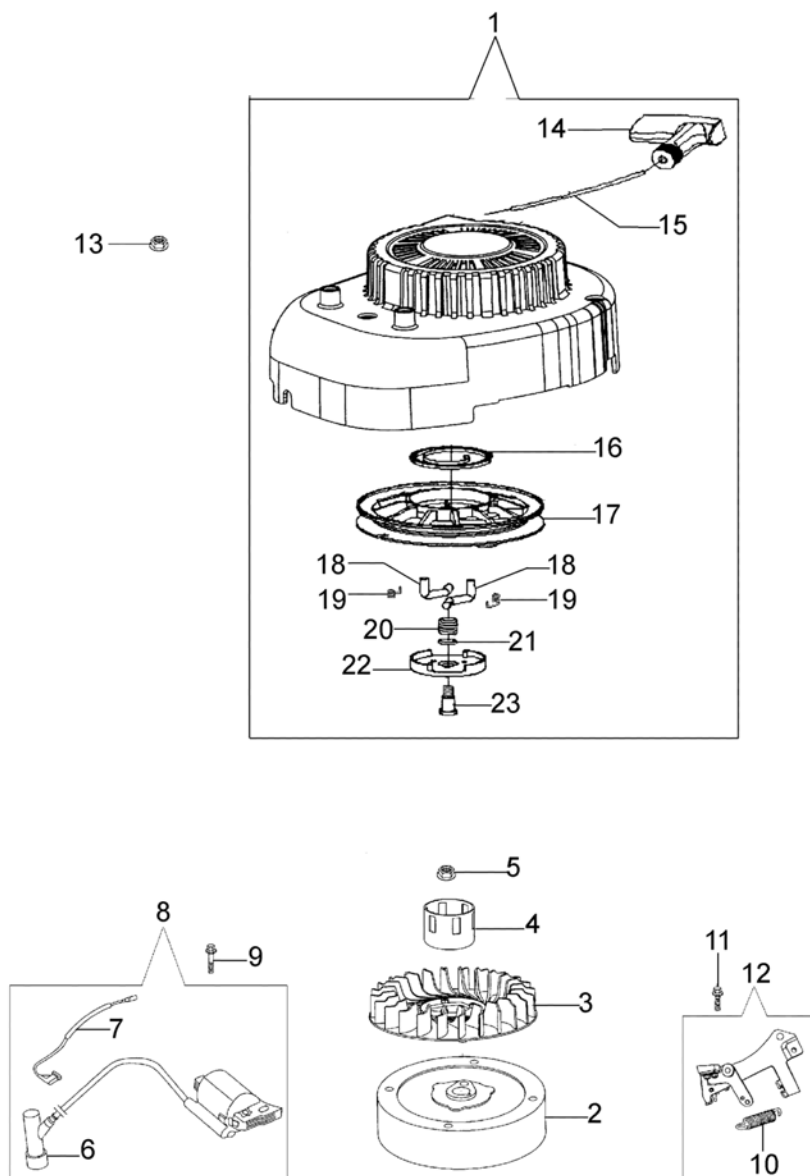
G 48 PK (K500) - Crankshaft and piston



G 48 PK (K500) - Crankshaft and piston

Ref.Nu	Qty	Part number	Description	Validity from	Validity till	Notes	Bulletin
1	1	L66150070	Piston ring set				
2	2	L66150372	Retainer washer				
3	1	L66150342	Piston pin				
4	1	L66150217A	Piston assy				
5	2	L66150078	Bolt,connecting rod				
6	1	L66150421	Connecting rod cpl.				
7	1	L66150355	Bearing				
8	1	L66150423	Crankshaft				
9	1	L66150081	Key				
10	1	L66150424	Washer				

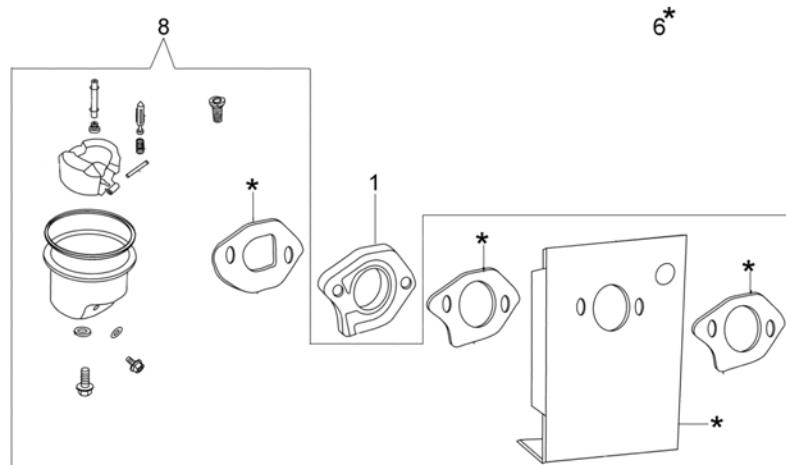
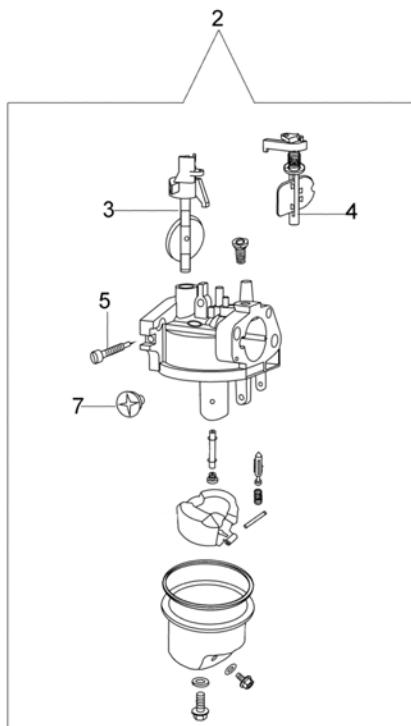
G 48 PK (K500) - Starter Assy and flywheel



G 48 PK (K500) - Starter assy and flywheel

Ref.Nu	Qty	Part number	Description	Validity from	Validity till	Notes	Bulletin
1	1	L66150233	Starter assy				
2	1	L66150425	Flywheel				
3	1	L66150426	Fan,cooling				
4	1	L66150147	Pulley				
5	1	L66150376	Nut,flange				
6	1	L66150427	Spark plug cap				
7	1	L66150150	Wire,stopping engine				
8	1	L66150429	Ignition coil				
9	1	L66150416	Screws				
10	1	L66150257	Spring (brake)				
11	2	L66150416	Screws				
12	1	L66150415	Flyweheel brake				
13	1	L66150235	Nut				
14	1	L66150270	Knob,recoil starter				
15	1	L66150269	Starter rope				
16	1	L66150266	Spring,recoil starter				
17	1	L66150265	Pulley				
18	2	L66150263	Pawl				
19	2	L66150264	Spring				
20	1	L66150262	Spring				
21	1	L66150261	Washer				
22	1	L66150260	Slide				
23	1	L66150259	Screws				

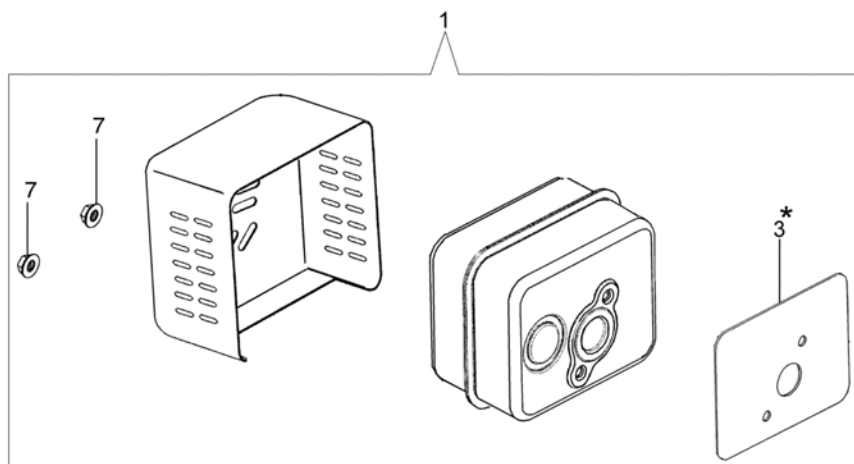
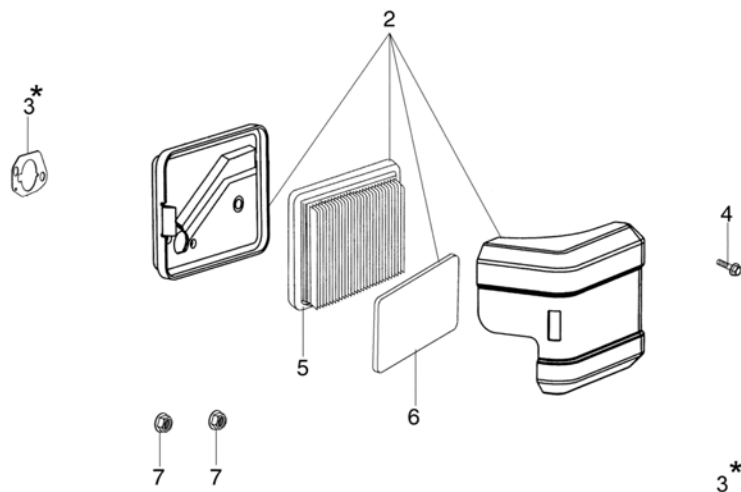
G 48 PK (K500) - Carbuirettor



G 48 PK (K500) - Carburettor

Ref.Nu	Qty	Part number	Description	Validity from	Validity till	Notes	Bulletin
1	1	L66150433	Insulator				
2	1	L66150142A	Carburetor				
3	1	L66150131	Throttle valve assy.				
4	1	L66150135	Air lever				
5		-	Not available for this product				
6	1	L66150227	Gasket set				
7	1	L66150122	Screw				
8	1	L66150211	Repair kit				

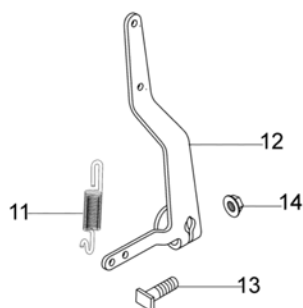
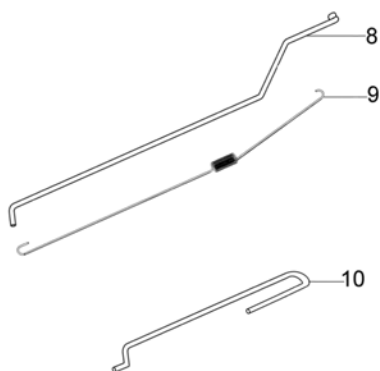
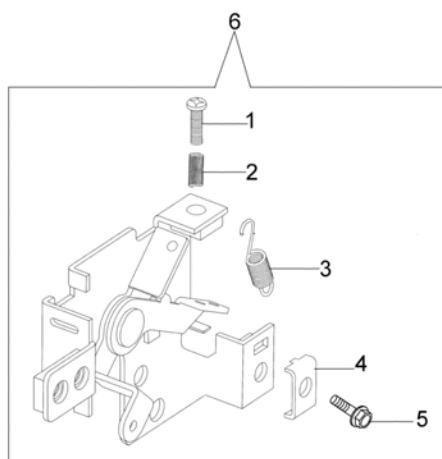
G 48 PK (K500) - Air filter and muffler



G 48 PK (K500) - Air filter and muffler

Ref.Nu	Qty	Part number	Description	Validity from	Validity till	Notes	Bulletin
1	1	L66150443	Muffler assy.				
2	1	L66150250	Air filter kit				
3	1	L66150227	Gasket set				
4	2	L66150251	Screw				
5	1	L66150445	Air filter				
6	1	L66150255	Sponge				
7	1	L66150252	Nut				

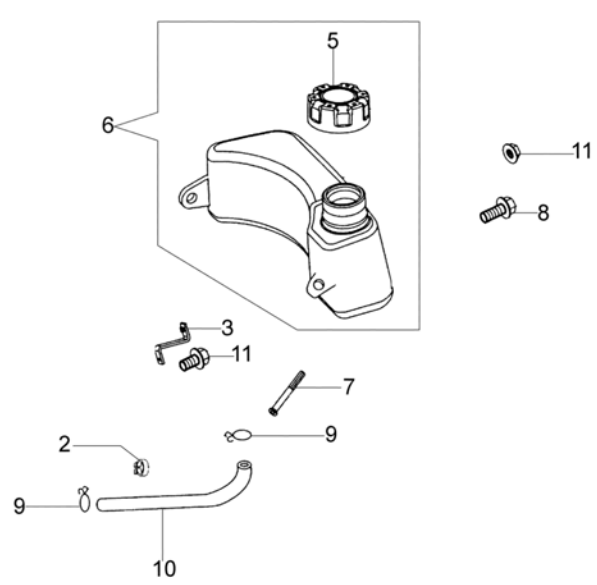
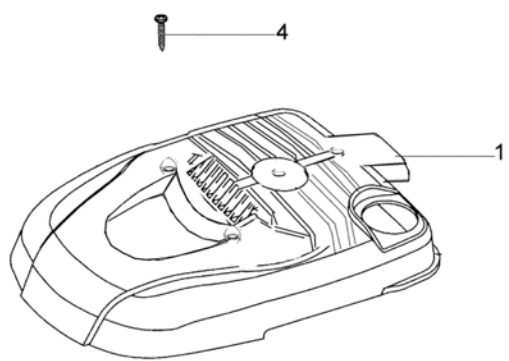
G 48 PK (K500) - Control lever



G 48 PK (K500) - Control lever

Ref.Nu	Qty	Part number	Description	Validity from	Validity till	Notes	Bulletin
1	1	L66150168	Screw,control adjusting				
2	1	L66150169	Spring				
3	1	L66150170	Spring				
4	1	L66150468	Plate				
5	1	L66150172	Bolt m5x16				
6	1	L66150470	Complete lever				
7	2	L66150464	Screws				
8	1	L66150236	Rod				
9	1	L66150237	Spring				
10	1	L66150461	Throttle rod				
11	1	L66150448	Spring				
12	1	L66150447	Control lever				
13	1	L66150382	Bolt,flange				
14	1	L66150252	Nut				

G 48 PK (K500) - Fuel tank and cover



G 48 PK (K500) - Fuel tank and cover

Ref.Nu	Qty	Part number	Description	Validity from	Validity till	Notes	Bulletin
1	1	L66150234	Cover				
2	1	L66150440	Clip				
3	1	L66150239	Stud				
4	1	L66150240	Screw				
5	1	L66150437	Plug				
6	1	L66150238	Fuel tank				
7	1	L66150439	Filter				
8	1	L66150197	Screw				
9	2	L66150435	Clip				
10	1	L66150432	Tube				
11	1	L66150464	Screws				